

AD Series Motor Driven Diaphragm Pump

OVERVIEW

The AD series is a compact diaphragm pump intended for multipurpose dosing applications. Extensive build options permit great customisability to maximise economy and practicality, as such the AD series are an efficient multi-use design.

All pumps have manual stroke length adjustment as standard. Optional automatic stroke length adjustment accepts a 4-20 mA signal (10 mm stroke length models only).

The pump is encased in grey anodized aluminium casing finished with an epoxy anti acid paint.

Can be built with an ATEX Zone 2 rated motor.



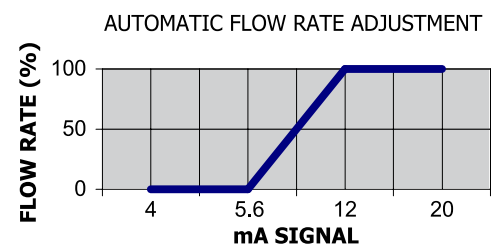
An AD Motor Pump with polypropylene pump head.

TECHNICAL FEATURES

- Flow Rate 10 - 123 L/H
- Maximum Pressure 14 Bar (low flow rate models), 6 bar (high flow rate models).
- Motor Options Single Phase, Three Phase, optional ATEX Zone 2 compatibility. Accepts 230 – 400 V input at 50 Hz, single phase motors either 230 V or 110 V.
- Inverter Control Yes. Expert installation only. Requires self-ventilated motor.
- Pump Head PP, PVC, AISI or PVDF.
- Seal Material FPM, EPDM & NBR.
- Thread Gas male 1/2"
- ATEX Rated Motor Atex rated motors are Three Phase only; ATEX ratings as follows:
ATEX EEx-d 2G (Zone1) IIB T4 IP55 (Gas)
ATEX EEx-d 2D (Zone21) IIB T4 IP65 (Dust)
- Valves Single ball check valve

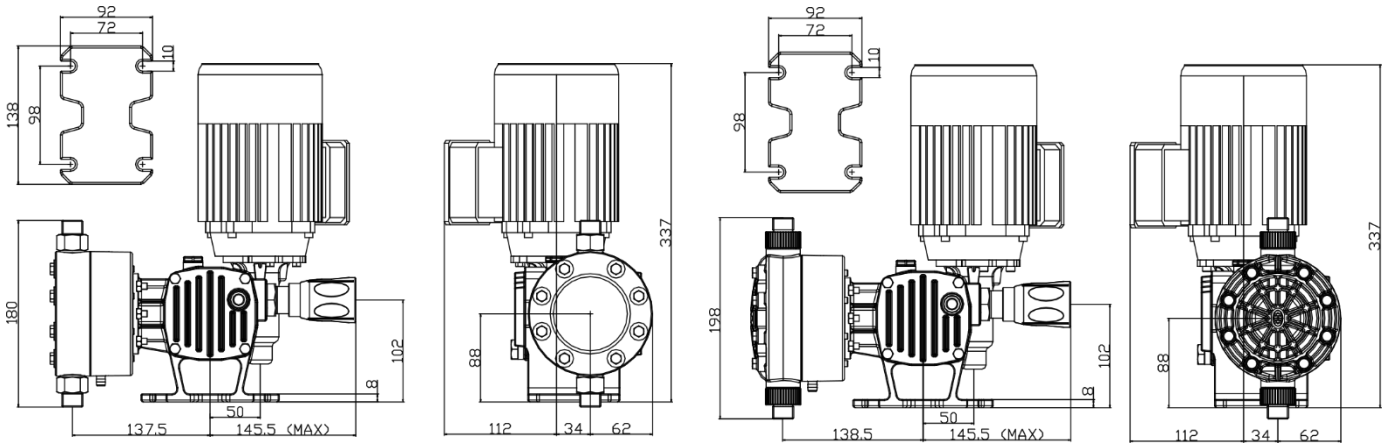
4 – 20 mA CONTROL OPTIONS

AD series pumps accept two options for a 4-20 mA control - inverter control or automatic stroke length control. Automatic stroke length control is confined to a 5.6-12 mA signal as illustrated by the chart to the right. The tolerance is $\pm 5\%$. Please note that this requires a separate 24 V AC power supply and is available for 10 mm stroke length models only.



AD Series Motor Driven Diaphragm Pump

DIMENSIONS



Pump with PP head

Pump with AISI head

PRODUCT INFORMATION

| Code | Flow Rate (L/H) | | Pressure (Bar) | | | | Strokes per Minute | | Stroke Length (mm) | Motor Output (Kw) | Valve Size |
|---------------|-----------------|-------|----------------|-------|-------------------|-------|--------------------|-------|--------------------|-------------------|------------|
| | | | AISI Pump Head | | PP/PVDF Pump Head | | | | | | |
| | 50 Hz | 60 Hz | 50 Hz | 60 Hz | 50 Hz | 60 Hz | 50 Hz | 60 Hz | | | |
| AD0016**00100 | 16 | 19 | 14 | 14 | 14 | 14 | 60 | 72 | 4 | 0.18 | ½" Gm* |
| AD0033**00100 | 33 | 40 | 14 | 12 | 14 | 12 | 120 | 144 | 4 | | |
| AD0030**00100 | 30 | 36 | 10 | 10 | 10 | 10 | 60 | 72 | 4 | | |
| AD0060**00100 | 60 | 72 | 10 | 10 | 10 | 10 | 120 | 144 | 4 | | |
| AD0061**00100 | 61 | 73 | 7 | 6.5 | 7 | 6.5 | 60 | 72 | 4 | | |
| AD0123**00100 | 123 | 148 | 6 | 5 | 6 | 5 | 120 | 144 | 4 | | |

*¾" valves builds are available.