

SOLENOID DOSING PUMP– series BT**TECHNICAL FEATURES**

- Maximum Flow Rate: up to 80 l/h
- Maximum Pressure: up to 20 bar
- Power Supply Range: 230/240Vac - 50/60Hz (*)
- Stroke Rate:
160 strokes/min (1-20L)
180 strokes/min (30-50-80L)
- Pump Head:
PP (*) – 1-15L (15 bar)
PVC (*) – 30-50-80L and 20 bar
- Air Bleed: Manual (*) – up to 15 l/h and 15 bar
- Valves:
FPM (*) up to 30L
Ceramic ball – 50-80L
- O-Rings: FPM (*)
- Diaphragm: PTFE
- External Casing: Aluminum protected with two coats of epoxy paint – IP65 protection
- Installation Kit: Included



(*) Upon request: different configurations.

BT MA/AD is a wall mounted Analogic Manual flow rate adjustment solenoid dosing pump with double regulation scale $2\div 20\%$ - $2\div 100\%$.

Standard voltage that the pump can receive is 230/240Vac at 50/60Hz, upon request: 110V.

The standard 1-20L BT pump has a PP pump head with FPM lip valves and FPM o-rings. While 30L and 20 Bar BT pumps have PVC pump head with FPM lip valves and FPM o-rings. 50-80L BT pumps have PVC pump head with ceramic ball valves and FPM o-rings.

Upon request:

- PP pump head with EPDM or NBR lip valves and o-rings.
- PP pump head with ceramic ball valves and FPM, EPDM or NBR o-rings.
- PVDF pump head with ceramic ball valves and FPM or TFE/P o-rings.

Standard pumps, up to 15 l/h and up to 15 bar, are equipped with manual air bleed pump head, upon request: automatic air bleed PVDF pump head with ceramic ball valves and FPM or TFE/P o-rings.



SOLENOID DOSING PUMP– series BT

PP pump head 1-15L



PP pump head 20L



PVC pump head 20 Bar



PVC 30-50-80L head



PVDF pump head



Plexiglas pump head



Oversized connections PP head

Standard pumps are supplied with a standard PP-FPM installation kit, composed of 2m discharge polyethylene tube (4x6mm), 2m suction + 2m bleeding PVC crystal tube (4x6mm), standard PP-FPM foot filter, PP-FPM injection valve. Upon request: EPDM, NBR or TFE/P version, PVDF accessories, PVDF tube.



PP standard installation



PVDF installation kit

SOLENOID DOSING PUMP– series BT

Flow rate Portata l/h - GPH	Pressure Pressione Bar - PSI	Max imp./min.	Output for stroke Dosaggio per impulsi ml	Stroke Corsa mm	Suction height Altezza aspirazione m	Standard power supply Alim. elettr. standard Volts - Hz	Power comp. Potenza ass. Watts	Current comp. Corrente ass. Ampere	Net weight Peso netto Kg
5 - 1,32	10 - 145	160	0,52	1,00	2,0	230 V 50-60 Hz	60	0,26	4,2
5 - 1,32	20 - 290		0,52	1,50			110	0,48	5,2
10 - 2,64	10 - 145		1,04	1,10			90	0,39	5,4
20 - 5,26	5 - 72		2,08	2,20			110	0,48	5,7
30 - 7,92	4 - 58	180	2,80	1,40	1,5	124	0,54	5,7	
50 - 13,20	3 - 43		4,60	1,70	1,5	124	0,54	5,7	
80 - 21,12	1 - 14		7,40	2,40	1,5	124	0,54	5,7	

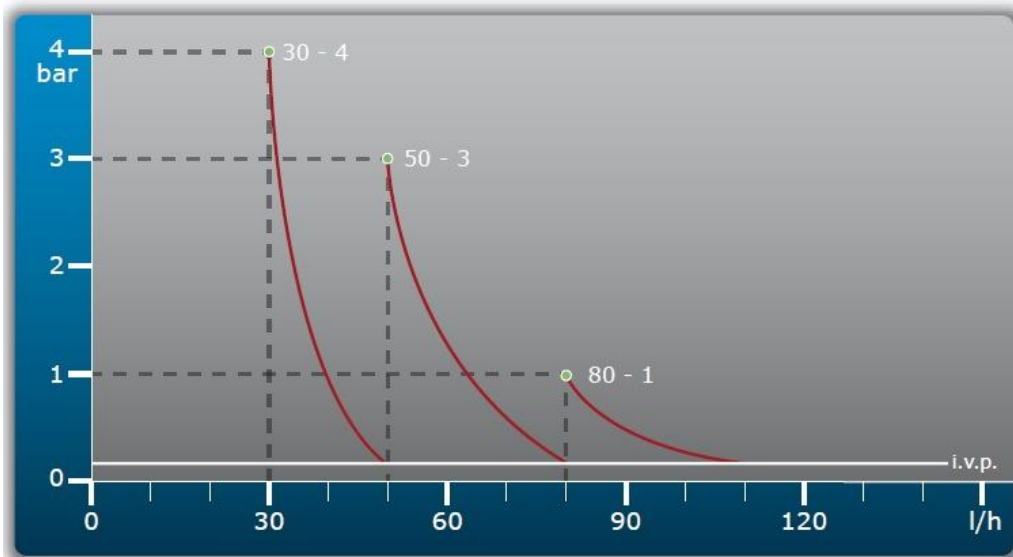
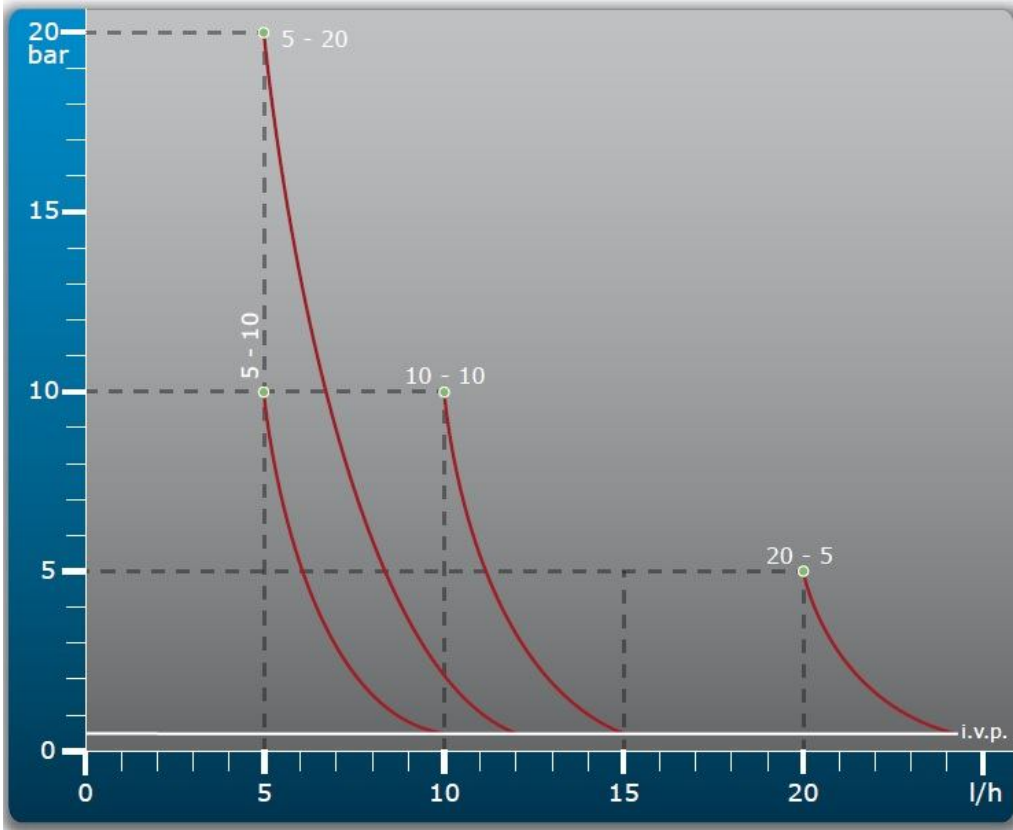
CODE

Model	Type	Version	Liquidend
PBT = BT	23 = MA/AD	037 = 0510 (230V)	01 = PP-FPM
		087 = 0510 (120V)	05 = PP-EPDM
		198 = 0520 (230V)	V8 = PVDF-FPM, PP kit
		204 = 0520 (120V)	5E = PVDF-FPM, PVDF kit
			4I = PVDF-TFE/P, PVDF kit
		043 = 1010 (230V)	5P = PVDF-FPM, PVDF kit & tube
		092 = 1010 (120V)	
			8B = PVDF-FPM automatic air bleed, PP kit
		046 = 2005 (230V)	8R = PVDF-FPM automatic air bleed, PVDF kit
		096 = 2005 (120V)	5Q = PVDF-TFE/P automatic air bleed, PVDF kit
		184 = 3004 (230V)	
		205 = 3004 (120V)	
		190 = 5003 (230V)	
		206 = 5003 (120V)	
		193 = 8001 (230V)	
		207 = 8001 (120V)	

We reserve the right to make changes at any time without notice to colors, materials, specifications and models

SOLENOID DOSING PUMP– series BT

CURVES FLOW RATE VS. PRESSURE

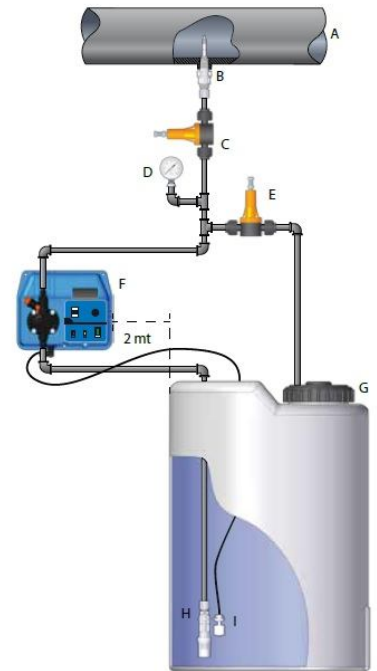


We reserve the right to make changes at any time without notice to colors, materials, specifications and models

SOLENOID DOSING PUMP– series BT

TYPICAL INSTALLATION

- A- Main Pipeline.
- B- Injection Valve: PP or PVDF body – FPM, EPDM, or TFE/P seals.
- C- Backpressure Valve: PVC body.
- D- Pressure Gauge.
- E- Relief Valve: PVC body.
- F- Dosing Pump
- G- Tank: in Polyethylene, from 60L and on, Open Safety Bund and/or Tank Support upon request.
- H- Foot Filter: PP or PVDF body – FPM, EPDM or TFE/P seals.
- I- Floating Level Switch.



ACCESSORIES

FLOATING LEVEL SWITCH:

Floating Level Switch complete with plastic support to be linked to heavy foot filter. The foot filter weight allows to adjust the floating switch to the desired height inside the chemical tank.



SUCTION LANCE:

Adjustable height PVC Suction Lance with foot valve/filter and float switch. From 35 to 130cm with 4x6 connections and 100cm with 10x14 connections.



EXTRACTABLE INJECTION LANCE

The Injection Lance allows the injection of the additive to a maximum distance of 20cm from the attachment point on the main pipe, 1/2" Gm connections, for 4x6 tube, maximum flow rate 20 l/h and maximum pressure 10 bar.



RELIEF VALVE

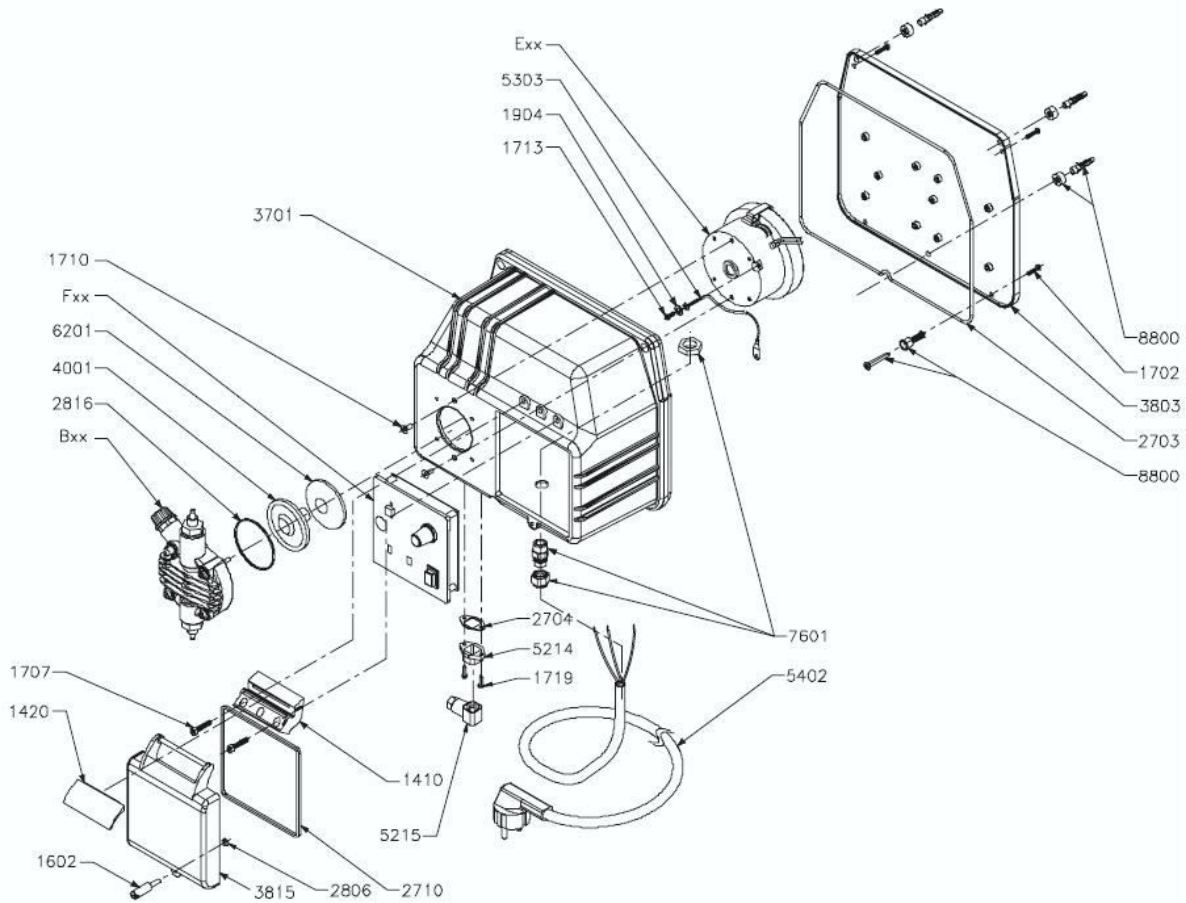
Threaded Relief Valve with PVC or PVDF body, PTFE membrane. Manual opening backpressure adjustment.



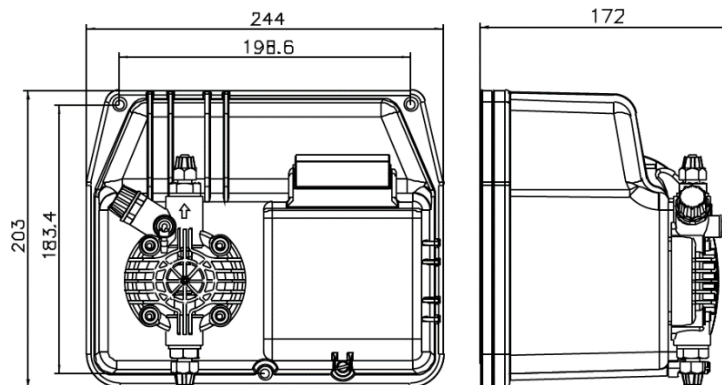
We reserve the right to make changes at any time without notice to colors, materials, specifications and models

SOLENOID DOSING PUMP– series BT

EXPLODED VIEW



DIMENSIONS



We reserve the right to make changes at any time without notice to colors, materials, specifications and models