

# 30K Muffin series Monster®

## Materials of Construction

**Housings:** Ductile iron

**Cutters:** Hardened alloy steel

**Shafts:** Hardened alloy steel

**Mechanical Seals:** Tungsten carbide faces

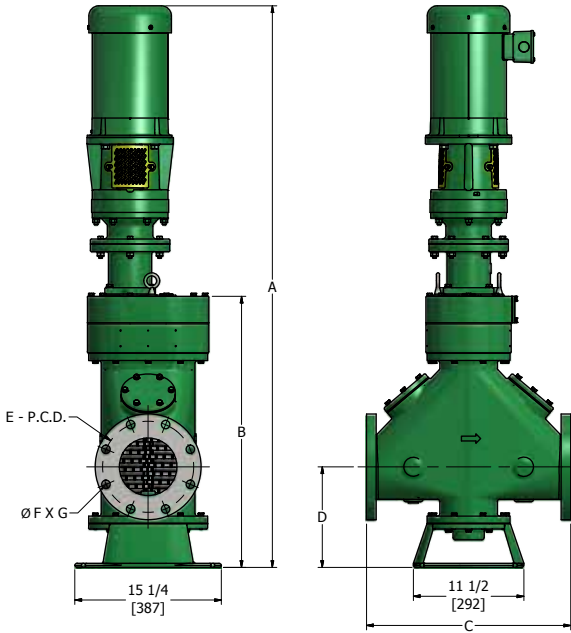
## Specifications

2" (50 mm) hex shafts;

Standard 3 HP (2.2 kW) motor; 29:1 reducer

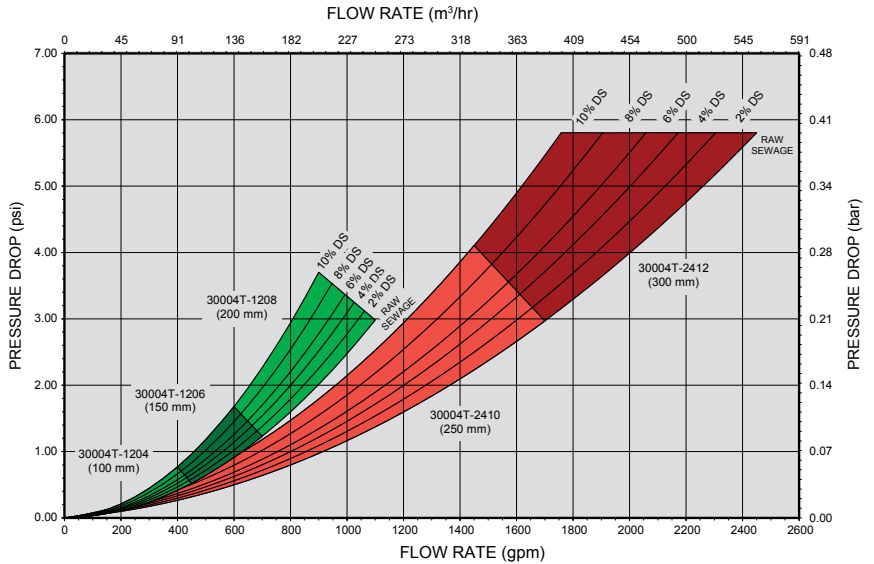
**Cutter Size:** 4-3/4" (120 mm) diameter cutters

**Seal Max Working Pressure:** 90 PSI (6 bar)



OPTIONS AVAILABLE		
	In-Line	Open Channel
7, 11, 13 Tooth Cutters	■	■
17 Tooth Wipes Ready™ Cutter	■	■
Custom Mounting Frames		■
SS & NEMA 7 Control enclosures	■	■
Solids Scrapers		■
Stainless Steel Feed Hopper		■
Alternate Voltage & HP Motors	■	■
Explosion Proof Motors	■	■
Immersible Motors	■	■
Hydraulic Power Pack	■	■
Extended Motor Shafts	■	■
ANSI, JIS, JWA, BS & AS Flanges	■	

## MODEL 30004T



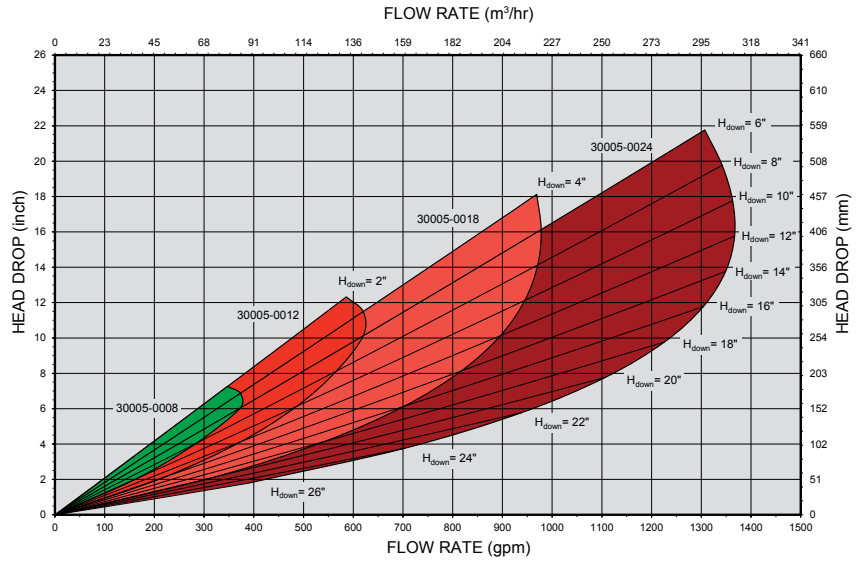
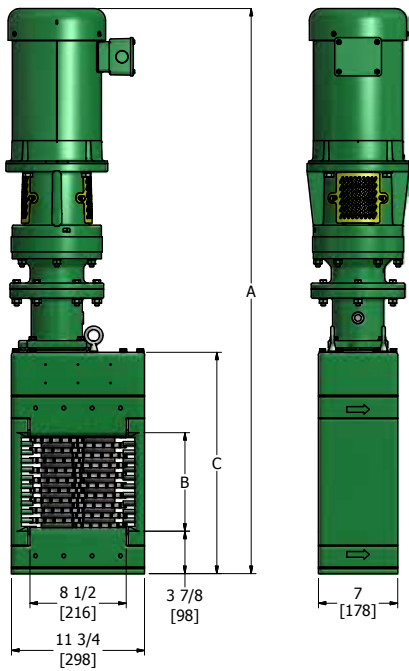
IN-LINE Model	Flow Rate - gpm (m³/hr)	Pipeline Size - inches (mm)	Pressure Drop - psi (bar)	Standard Dimensions - inches (mm)				Flange Dimensions - inches (mm)			Approximate Net Weight - lbs (kg)
				A	B	C	D	E	F	G	
30004T-1204	450 (102)	4 (100)	0.52 (0.04)	58-1/4 (1480)	28-1/4 (718)	19-1/4 (483)	9-3/8 (238)	7-1/2 (191)	3/4 (19)	8	562 (255)
30004T-1206	700 (159)	6 (150)	1.23 (0.08)	58-1/4 (1480)	28-1/4 (718)	21-1/4 (534)	10-3/8 (264)	9-1/2 (241)	7/8 (22)	8	559 (254)
30004T-1208	1100 (250)	8 (200)	3.00 (0.21)	58-1/4 (1480)	28-1/4 (718)	23-1/4 (584)	11-1/4 (238)	11-3/4 (286)	7/8 (22)	8	568 (258)
30004T-2410	1700 (386)	10 (250)	2.97 (0.20)	69-3/4 (1772)	39-3/4 (1010)	27-1/4 (686)	12-5/16 (313)	14-1/4 (362)	1 (25)	12	789 (358)
30004T-2412	2450 (556)	12 (300)	5.80 (0.40)	69-3/4 (1772)	39-3/4 (1010)	31-1/4 (787)	13-1/4 (337)	17 (431)	1 (25)	12	809 (367)

In-Line unit typically installed prior to suction side of pump. • Consult factory for analysis of application.  
• Drive dimensions are a maximum based on a unit with a 3 HP (2.2 kW) drive.

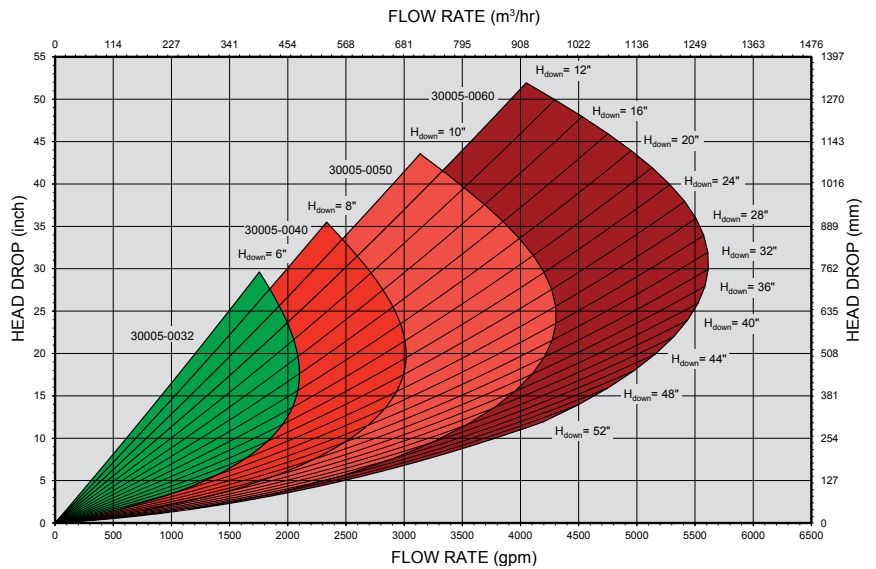


# 30K Muffin series Monster®

## MODEL 30005



## MODEL 30005



OPEN CHANNEL Model	Flow Rate - gpm (m³/hr)	Head Drop - inches (mm)	Standard Dimensions - inches (mm)			Approximate Net Weight - lbs (kg)
			A	B	C	
30005-0008	370 (84)	7 (178)	49-1/2 (1257)	8 (203)	19-1/2 (495)	370 (168)
30005-0012	620 (141)	11-1/2 (290)	53-5/8 (1362)	12 (305)	23-5/8 (600)	410 (186)
30005-0018	980 (223)	16 (405)	59-1/2 (1511)	18 (457)	29-1/2 (749)	465 (211)
30005-0024	1370 (311)	16 (405)	65-1/4 (1657)	24 (609)	35-1/4 (895)	520 (236)
30005-0032	2100 (477)	17-1/2 (445)	73 (1854)	32 (813)	43 (1092)	580 (263)
30005-0040	3020 (686)	19-1/2 (495)	81 (2057)	40 (1016)	51 (1295)	650 (295)
30005-0050	4310 (979)	23-1/2 (595)	90-7/8 (2308)	50 (1270)	60-7/8 (1546)	740 (336)
30005-0060	5620 (1277)	30 (760)	101-3/8 (2575)	60 (1524)	71-3/8 (1813)	845 (383)

\* Flow based on optimum channel conditions. • Consult factory for analysis of application.

• Drive dimensions are a maximum based on a unit with a 182T motor frame. • Extended drive shafts are available on request.

Santa Ana, CA. USA | 800.331.2277 | jwce.com | jwce@jwce.com

©2016 JWC Environmental. JWC's Santa Ana California facility is registered by UL to ISO9001:2008 #10001313 QM8. JWC International Congleton, UK is registered by QAS to ISO9001:2008 File #A13056. U.S. patents apply: 6,176,443; 6,332,984; 7,073,433; 7,080,650; 7,081,171; 7,086,405; 7,383,842; 7,771,589; 7, 854,859; RE37,349E; RE40,422; RE39,948E. U.S. patents pending: 13/628,725; 14/862,238; 14/862,247; 14/862,226; 62/054,656. Additional patents pending. All rights reserved. JWC Environmental is not liable for damages that may result from any information provided in or omitted from this publication, under any circumstances. JWC Environmental reserves the right to make adjustments to this publication at any time, without notices or obligation. Please check the JWC Environmental website (www.jwce.com) for the most up-to-date information or speak to your local rep.



Trust Monster Quality™